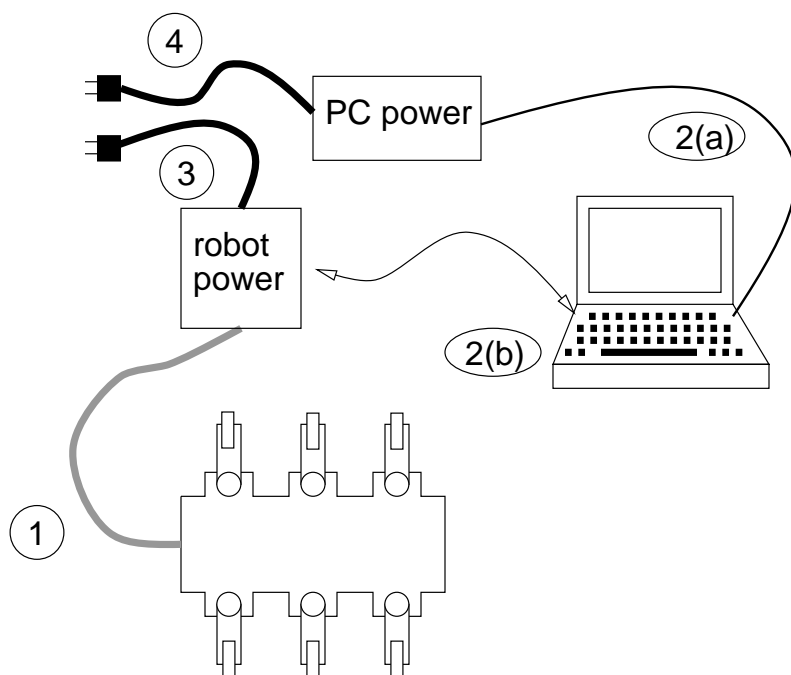


Robot Gait Experiments -- General Instructions

Set up There are four components that need to be connected:

1. The robot is connected to its power supply
- 2(a). The computer connects to its power supply
- 2(b). The computer is also connected to the robot's power supply
3. The robot power supply plugs into a wall socket
4. The computer power supply plugs into a wall socket



The computer

to start the computer

The white switch on the left-hand side of the computer turns it on.

It comes up under Windows 95; just CANCEL the password query.

to run the GAIT designer

There are two icons on the desktop: "4-step GAIT" and "6-step GAIT".

Double-click to activate

to shut down the computer

There is a "task bar" at the bottom of the screen.

Click the "START" button, then "Shut Down" to turn off the computer

Windows will display a message when it's safe to turn off the power (white switch)