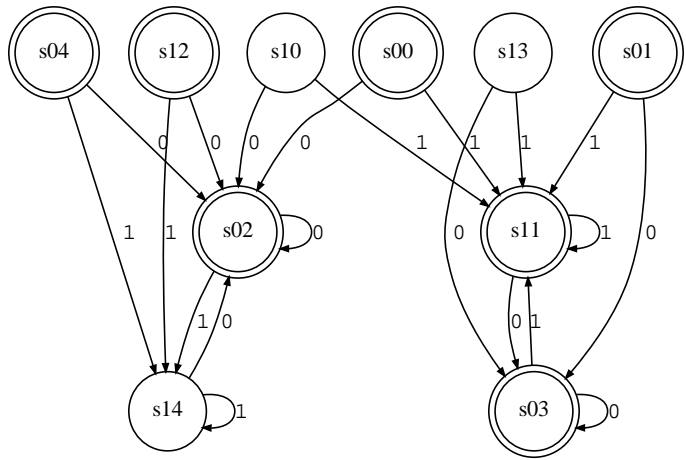
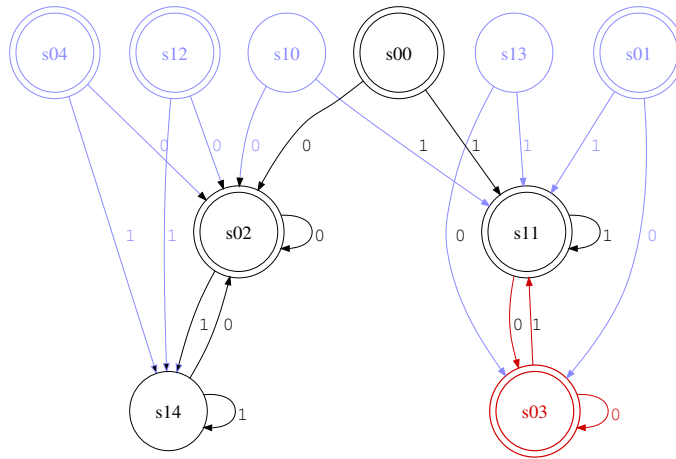


$L_1 = \{\text{words that end with } 0\}$

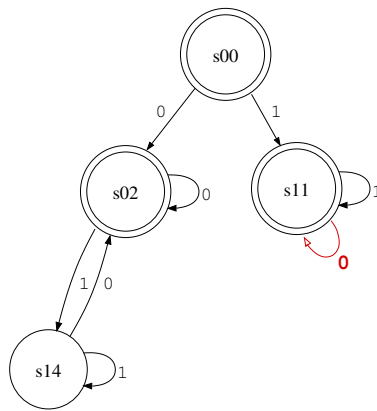
$L_2 = \{\text{words that start and end with the same letter}\}$



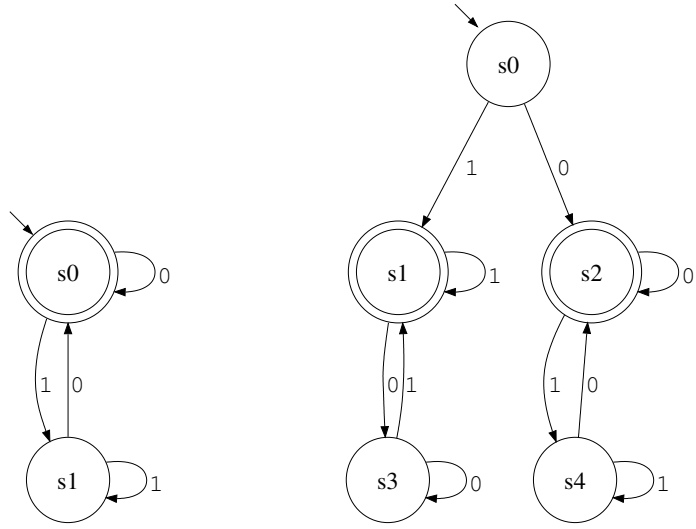
$L_1 \cup L_2$  "product FA"



*unreachable nodes (blue) and redundant node (red)*

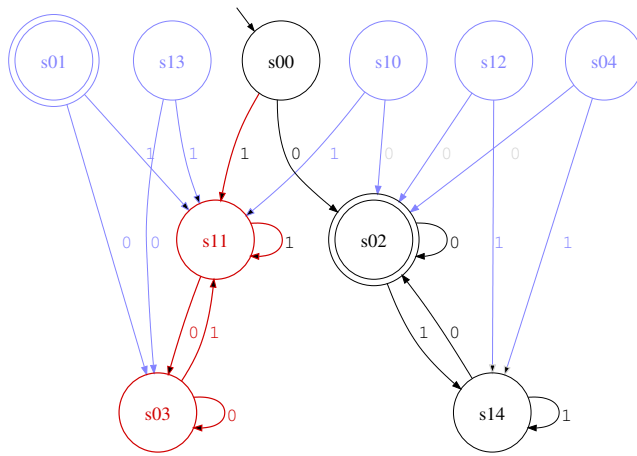


*$L_1 \cup L_2$  optimized*

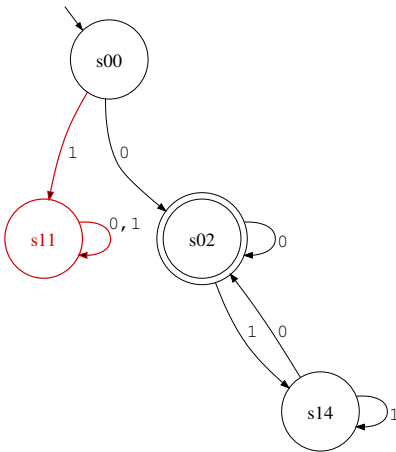


$L_1 = \{\text{words that end with } 0\}$

$L_2 = \{\text{words that start and end with the same letter}\}$



$L_1 \cap L_2$  "product FA"



$L_1 \cap L_2$  optimized

